



MANUAL LIFTING
EQUIPMENT
CATALOGUE

No part of this catalogue may be reproduced, stored in a retrieval system, or transmitted in any way or by any means, electronic, mechanical, photocopying, recording or otherwise, without the express prior written permission of CEC Crane Engineering and Consulting GmbH. Errors and omissions excepted. Technical details subject to change.

This publication is issued to provide general information only. CEC reserves any right to alter, terminate or declare invalid the aforesaid products and/or specifications without prior notice. This catalogue does not constitute any explicit or implied warranty or guarantee by CEC or any warranty with respect to the use of the product for general or specific purposes.

SPUR GEAR CHAIN BLOCKS

CHAIN BLOCK K-II	05
CHAIN BLOCK TB	07
CHAIN BLOCK VIT-II	10



CHAIN BLOCKS

LEVER HOISTS

LEVERHOISTK-V.....	12
LEVERHOISTKIT-III.....	15
LEVERHOISTYAL.....	18
LEVERHOISTKX.....	21



LEVER HOIST

ACCESORIES

LOADCHAIN.....	23
PLAIN TROLLEY KW-II	24
PLAIN TROLLEY KWD-II	25
GEARED TROLLEY KW-III	26
BEAM CLAMP YC	27
BEAM CLAMP YS	27
PLATE CLAMP CU	28
PLATE CLAMP CV	29
PLATE CLAMP CH	29
HANDHOISTHAL.....	30
HANDHOISTHALII.....	30



ACCESORIES

CHAIN BLOCK FOR PROFESSIONAL AND INDUSTRIAL APPLICATIONS

- Sealed bearings
- Caged cylinder roller bearings on main shaft facilitate operation
- Perfected suspension design ensures maximum flexibility for manual operation
- High-quality 100% steel design with rugged housing
- Minimised headroom
- Galvanised load chain G100, excellent resistance to wear and abrasion combined with minimised chain weight
- Reinforced double pawl brake system with reinforced ratched springs ensures reliable braking
- Integrated brake disc
- Quick release pin for simple upper hook replacement
- Cast hook safety catch
- Only one operator necessary up to 15 t

Special equipment

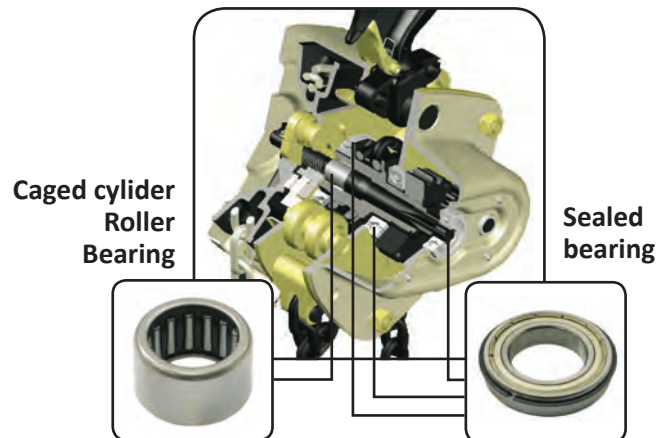
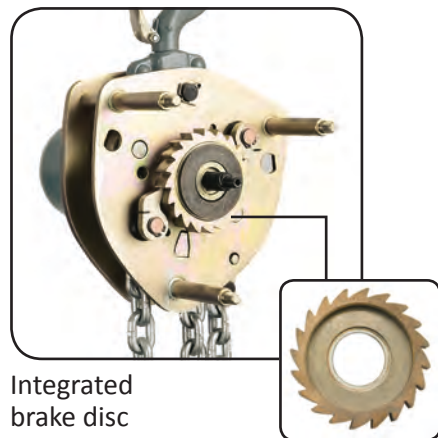
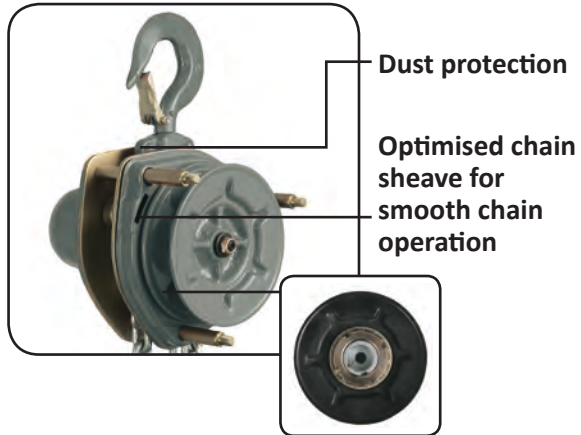
- Overload protection
- Axial ball bearing in the bottom flange



CHAIN BLOCK K-II



CHAIN BLOCK K-II



Special equipment



Axial ball bearing at the hook for easy rotation



Simple hook replacement due to quick release bolt

CHAIN BLOCK K-II



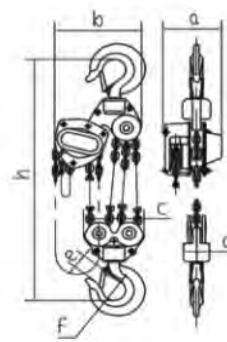
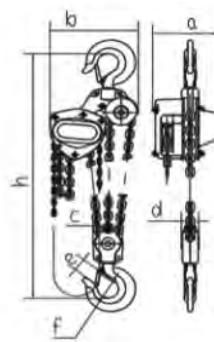
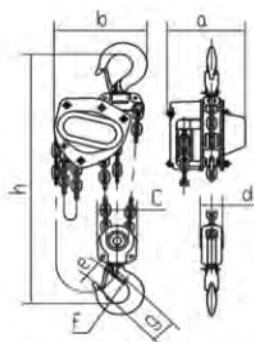
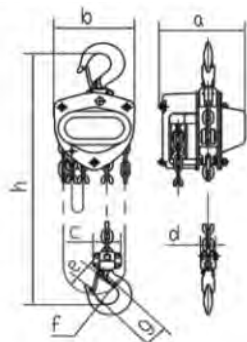
TECHNICAL DATA

0.25 t, 0.5 t, 1 t, 1.5 t, 2 t & 3.2 t

3 t & 5 t

7.5 t & 10 t (3 chain falls)

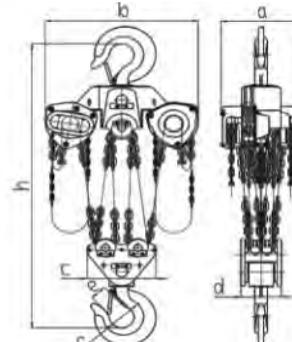
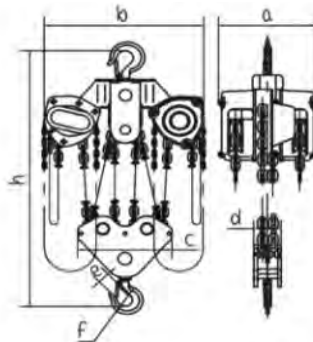
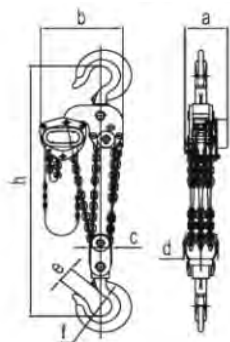
10 t



15 t

20 t

30 t



Load capacity:	(t)	0.25	0.5	1	1.5	2	3	3.2	5	7.5	10	10	15	20	30	
Model no.		K025	K050	K100	K150	K200	K300	K320	K500	K750	K1000A	K1000	K1500	K2000	K3000	
No. of falls		1	1	1	1	1	2	1	2	3	3	4	6	8	12	
Load chain	(mm)	4x12	5x15	6.3x19	7.1x21	8x24	7.1x21	10x28	9x27	9x27	10x28	9x27	9x27	9x27	10x28	
Load chain grade		100	100	100	100	100	100	100	100	100	100	100	100	100	80/100	
Pull to rated load	(N)	186	228	284	343	353	353	368	333	343	398	353	363	353x2	345x2	
Test load	(t)	0.375	0.75	1.5	2.25	3.0	4.5	4.8	7.5	11.25	15	15	22.5	30	45	
Hand chain	(mm)	3x15x10	4.8x22x18								5x25x18					
Standard lift	(m)	3	3	3	3	3	3	3	3	5	5	5	5	5	5	
Weight	(kg)	3.9	10.8	12.4	15.6	20	24	27.4	41	72.4	85.2	94.9	153	205	284	
Extra weight	(kg)	0.37	130.5	1.8	2.1	2.3	3.2	3.2	4.4	6.2	7.6	7.9	11.4	15.8	29.3	
per m																
Dimensions a	(mm)	96	139.5	161.5	170	183.5	170	190.5	192	192	190.5	192	220	230	360	
Dimensions b	(mm)	109	43	161	182	202.5	235	235	282	373	356	360.5	492	655	680	
Dimensions c	(mm)	29.5	25	51	64	64	106	68.5	133	120	120	263	110	286	306	
Dimensions d	(mm)	21	27	30	34	34	53	38.6	64	70	70	95	170	123	180	
Dimensions e	(mm)	27	32	33	33.5	37	43.5	43	51	64	64	64	80	82	82	
Dimensions f	(mm)	32	35	40	42	46	52	49.5	60	85	85	85	100	110	110	
Dimensions g	(mm)	35.5	285	45	47	52	62.5	62	79	-	-	-	-	-	-	
Dimensions h	(mm)	250		295	350	375	510	485	600	740	760	760	1.000	1.150	1.250	

50 t load capacity

HIGH-PERFORMANCE CHAIN BLOCK FOR INDUSTRIAL APPLICATIONS

- Hand chain block type TB meets the requirements of all national standards worldwide
- Hardened steel rollers for supporting the load rollers guarantee smoother operation and less wear than a roller bearing
- Spur gear to minimise the required force in combination with a double pawl brake system to optimise capacity, safety and reliability
- Load chain made of alloy steel G80 or G100
- Wear indicators at the hook aperture for checking potential deformation caused by overloading or wear
- Hooks are die-forged with wide neck
- Testing of all hand chain blocks in delivery condition with 150% of the rated load is documented in the respective certificate
- Hand lifting equipment is equipped with a load capacity that is four times the rated load
- Cast hook safety catch
- Caged cylinder roller bearing for the chain wheel
- Gear cover type A with quick release bolt

Special equipment

- Overload protection
- Axial ball bearing in the bottom load hook for 1 to 5 t



GEAR COVER TYPE B

CHAIN BLOCK TB

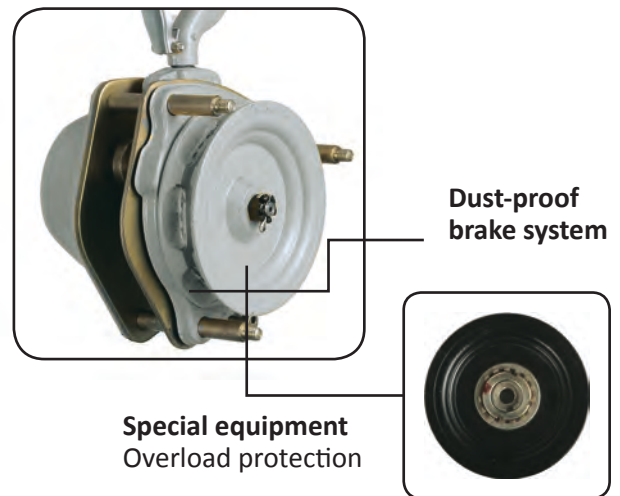
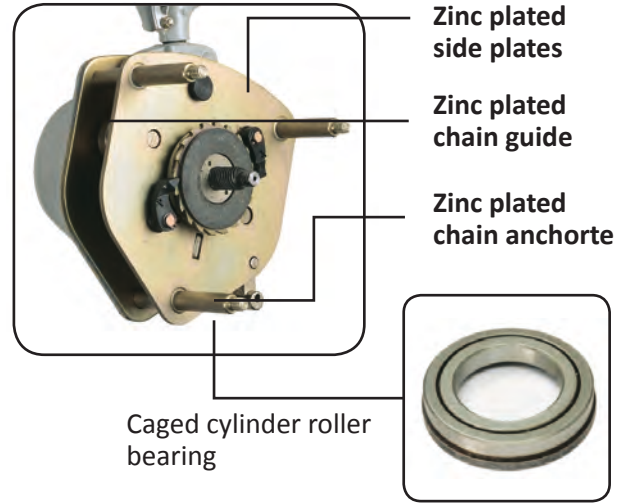


CHAIN BLOCK TB



Reinforced gear cover

**GEAR COVER
TYPE A**

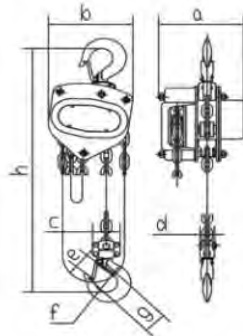


CHAIN BLOCK TB

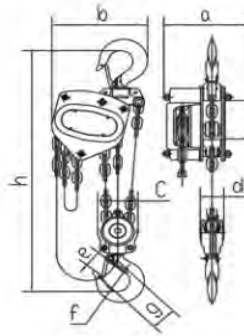


TECHNICAL DATA

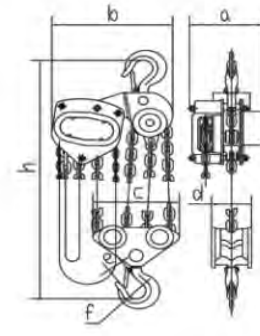
0.25 t, 0.5 t, 1 t, 1.5 t & 2 t



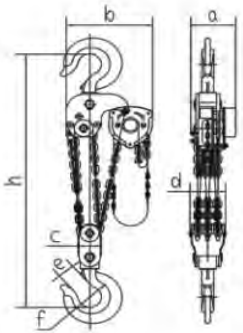
3 t & 5 t



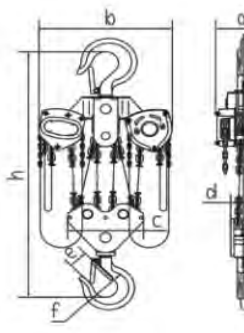
10 t



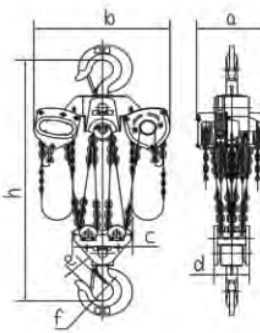
15 t



20 t



30 t



Load capacity:	(t)	0.25	0.5	1	1.5	2	3	5	10	15	20	30	
Model no.		TB025	TB050	TB100	TB150	TB200	TB300	TB500	TB1000	TB1500	TB2000	TB3000	
No. of falls		1	1	1	1	1	2	2	4	6	8	12	
Load chain	(mm)	4x12	5x15	6x18	8x24	8x24	8x24	10x30	10x30	10x30	10x30	10x30	
Pull to rated load	(N)	186	260	269	375	407	386	402	426	447	440x2	462x2	
Test load	(t)	0.38	0.75	1.5	2.25	3.0	4.5	7.5	15	22.5	30	45	
Hand chain	(mm)	3x15x10					5x25x17						
Standard lift	(m)	3	3	3	3	3	3	3	5	5	5	5	
Weight	(kg)	3.8	7.8	11.1	15.8	16.8	24.2	39.8	89.7	91.1	197	273	
Extra weight	(kg)	0.38	1.38	1.62	2.23	2.23	3.62	5.18	9.52	13.86	19.03	27.71	
per m													
Dimensions a	(mm)	102	125	134	151	157	157	180	180	210	225	310	
Dimensions b	(mm)	106	130	155	173	185	235	262	365	406	550	630	
Dimensions c	(mm)	29.5	43	51	64	64	100	126	260	110	286	306	
Dimensions d	(mm)	21	25	30	34	34	56	74	98	168	123	180	
Dimensions e	(mm)	27	27	33	33.5	37	43.5	51	64	80	82	82	
Dimensions f	(mm)	32	32	40	42	46	52	60	85	100	110	110	
Dimensions g	(mm)	35.5	35	45	47	52	62.5	79	-	-	-	-	
Dimensions h	(mm)	250	280	306	368	445	520	600	760	1.000	1.150	1.500	

CHAIN BLOCK FOR PROFESSIONAL AND INDUSTRIAL APPLICATIONS HEAVY VERSION VIT-II

- Compact design – minimised headroom
- Reinforced housing, ideal for particularly harsh ambient conditions
- Gear elements of the spur gear tempered to ensure smooth operation
- Reinforced double pawl brake system with reinforced ratched springs ensures reliable braking
- Load chain G 100 or G 80
- Open housing design for self-cleaning and simple inspection and maintenance of the load disc
- Double guide rollers for the load chain
- Caged cylinder roller bearing at the chain wheel
- Zinc plated side plates

Special equipment

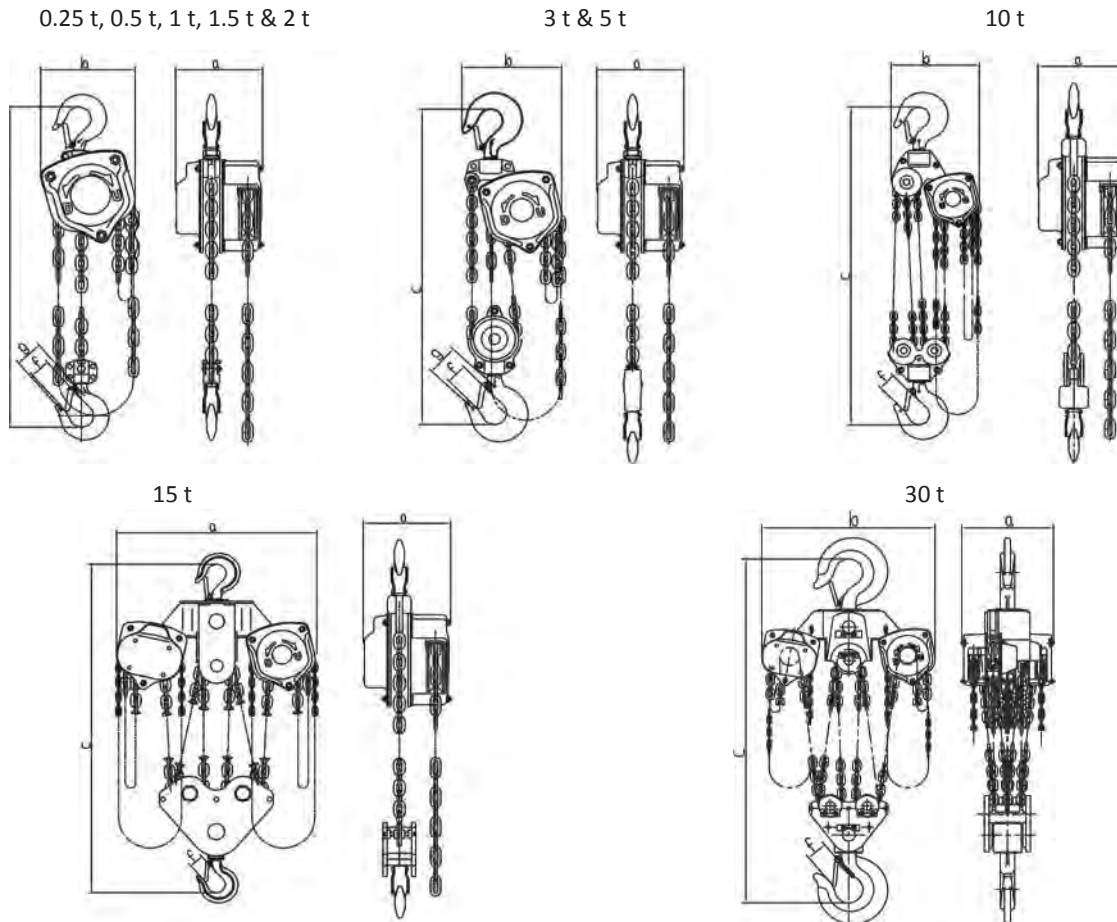
- Overload protection
- Axial ball bearing in the bottom hook



CHAIN BLOCK VIT-II



TECHNICAL DATA



CHAIN BLOCK VIT-II

Load capacity:	(t)	0.5	1	1.5	2	2	3	3	5	10	20	30
Model no.		VIT05	VIT10	VIT15	VIT20V	VIT20	VIT30B	VIT30	VIT50	VIT100	VIT200	VIT300
No. of falls		1	1	1	1	1	1	2	2	4	8	12
Load chain	(mm)	5x15	6.3x19	7.1x21	7.1x21	8x24	9x27	7.1x21	9x27	9x27	9x27	9x27
Load chain grade		80	80	100	100	100	100	100	100	100	100	100
Pull to rated load	(N)	250	330	340	450	340	380	350	390	410	410x2	420x2
Test load	(t)	0.75	1.5	2.25	3.0	3.0	4.5	4.5	7.5	15.0	30.0	45.0
Hand chain	(mm)				4.8x22x18				5.5x23.6x19			
Standard lift	(m)	3	3	3	3	3	3	3	3	5	5	5
Weight	(kg)	9.0	12.2	14.5	15.5	21.0	34.0	22.0	40.0	89.4	214.7	278
Extra weight	(kg)	1.42	1.73	1.97	1.97	2.58	2.76	3.07	4.71	8.23	16.46	23.5
per m												
Dimensions a	(mm)	127	147	147	147	179	182	147	179	179	207	350
Dimensions b	(mm)	144	157	174	174	204	263	206	263	367	873	694
Dimensions c	(mm)	285	315	340	355	380	550	475	600	740	870	1.300
Dimensions f	(mm)	27	33	33.5	37	37	43.5	43.5	51	64	82	82
Dimensions g	(mm)	35	45	47	52	52	62.5	62.5	78	-	-	-

50 t load capacity

LEVER HOISTS FOR PROFESSIONAL AND INDUSTRIAL APPLICATIONS

- Compact design
- Low weight yet rugged
- Galvanised load chain G 100
- Short lever handle
- Simple retrofitting of overload protection possible
- Additional, secured chain free-wheeling due to extractable and unlockable hand chain wheel
- Testing of all hand chain blocks in delivery condition with 150% of the rated load is documented in the respective certificate
- Special coupling in the hand wheel also enables all the functions when completely load free
- No pretension required
- Integrated brake disc
- Heavy load hook safety catch
- Caged cylinder roller bearing at the chain wheel
- Phosphated surface offers improved corrosion protection

Special equipment

- Overload protection
- Cast end ring
- Shipyard hook 1.6 t & 3.2 t
- Axial ball bearing in the bottom load hook

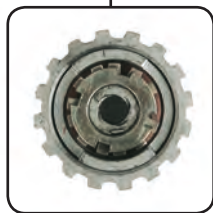
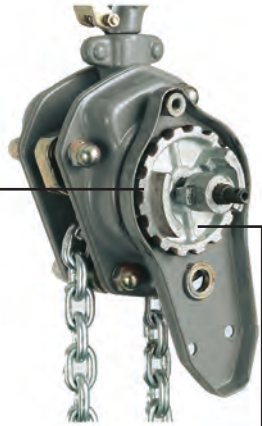


High-quality DACROMET coating of all mechanical elements distributing forces. This ensures a significantly longer service life of wear parts.

Dacromet is comprised mainly of overlapping zinc and aluminium flake in an inorganic binder, providing an excellent barrier against corrosion. Furthermore, it is characterised by outstanding heat resistance and low coefficient of friction. There is no risk of hydrogen embrittlement.



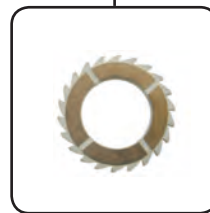
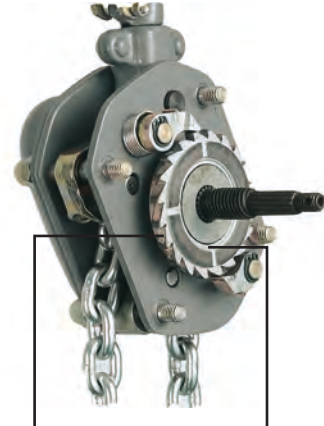
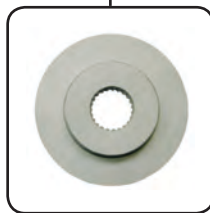
LEVER HOIST K-V



Special equipment
Overload protection



DACROMET coated elements



Integrated brake disc



Roller bearing directly on the chain wheel



Low headroom



Special equipment
Shipyards hook for 1.6 t & 2 t



Special equipment
Large cast steel end ring

LEVER HOIST K-V

LEVER HOIST K-V



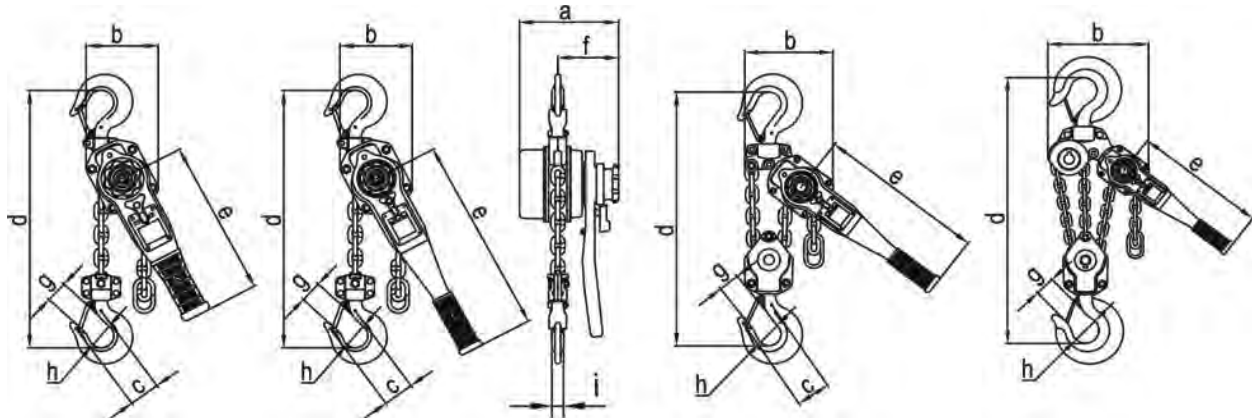
TECHNICAL DATA

0.8 t, 1 t, 1.6 t & 2.5 t

3.2 t

6.3 t

9 t



Load capacity:	(t)	0.8	1	1.6	2.5	3.2	6.3	9
Model no.		KV008	KV010	KV016	KV025	KV032	KV063	KV090
No. of falls		1	1	1	1	1	2	3
Load chain	(mm)	5.6x15.7	5.6x15.7	7.1x19.9	8.8x24.6	10x28	10x28	10x28
Pull to rated load	(N)	215	294	304	363	372	382	392
Test load	(t)	1.2	1.5	2.4	3.8	4.8	9.5	13.5
Standard lift	(m)	1.5	1.5	1.5	1.5	1.5	1.5	1.5
Weight	(kg)	5.7	5.9	8.0	11.2	13.6	26	40
Extra weight	(kg)	0.7	0.7	1.1	1.7	2.3	4.7	7
per m								
Dimensions a	(mm)	146	146	164	179	196	196	196
Dimensions b	(mm)	119	119	126	150	159	218	298
Dimensions c	(mm)	41.5	49.4	52	58.6	61.9	84.3	-
Dimensions d	(mm)	280	300	335	375	395	540	680
Dimensions e	(mm)	245	245	265	265	415	415	415
Dimensions f	(mm)	96	96	100	103	114	114	114
Dimensions g	(mm)	26.5	31.5	35.5	41	43	53	64
Dimensions h	(mm)	35.5	42.5	42.5	47	50	60	85
Dimensions i	(mm)	14	15	19	21	24.5	34	40

LIGHTWEIGHT AND COMPACT LEVER HOISTS FOR PROFESSIONAL AND INDUSTRIAL APPLICATIONS

- Extremely lightweight version
- Load chain guide system enables horizontal operation
- Lift heavy loads with remarkably little force
- Chain can be locked
- Load chain G 100
- DRACOMET coating for important elements that distribute force
- Rubber grip handle
- Simple design enables easy inspection and maintenance
- Testing of all hand chain blocks in delivery condition with 150% of the rated load is documented in the respective certificate
- Hook safety catch

Special equipment

- Overload protection
- Cast end ring
- Shipyard hook 1.6 t & 3.2 t
- Axial ball bearing in the bottom flange
- Caged cylinder roller bearing at the chain wheel



Special equipment
Axial ball bearing in the bottom load hook

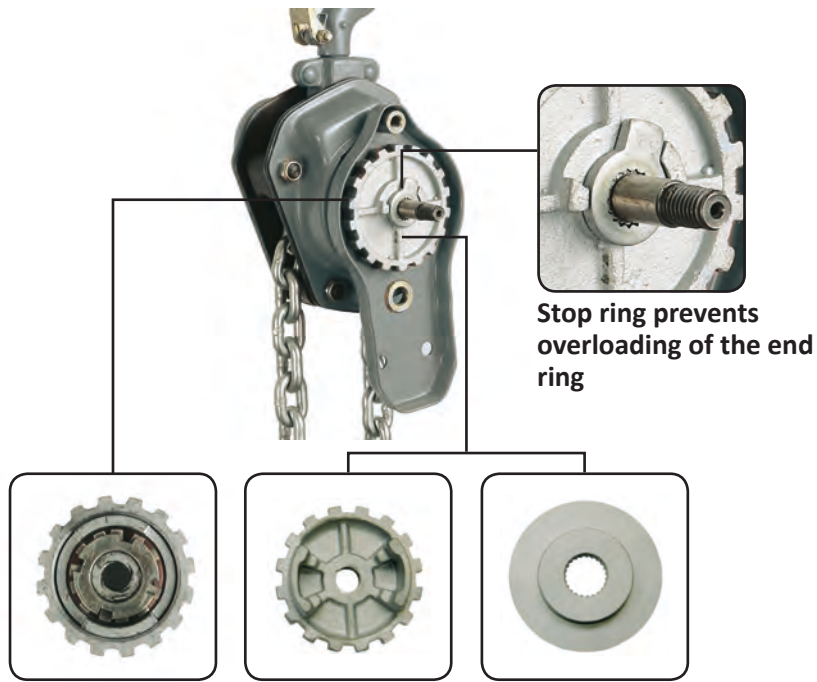
Black load chain grade 100 (VH)

High-quality DACROMET coating of all mechanical elements that distribute force. This ensures a significantly longer service life of wear parts.

Dacromet is comprised mainly of overlapping zinc and aluminium flake in an inorganic binder, providing an excellent barrier against corrosion. Furthermore, it is characterised by outstanding heat resistance and low coefficient of friction. There is no risk of hydrogen embrittlement.



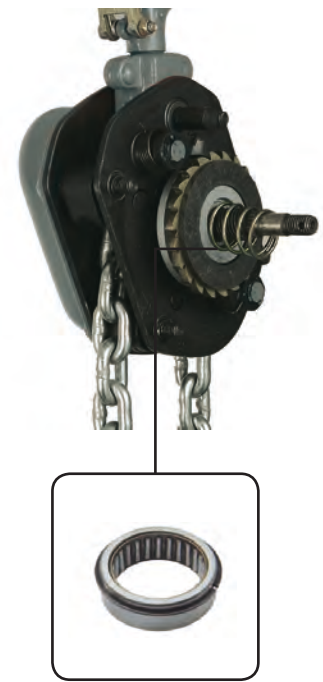
SPECIAL EQUIPMENT



Stop ring prevents overloading of the end ring

Special equipment
Overload protection

DACROMET



Special equipment
Caged cylinder roller bearing at the chain wheel



Special equipment
Shipyard hook for 1.6 t & 3.2 t

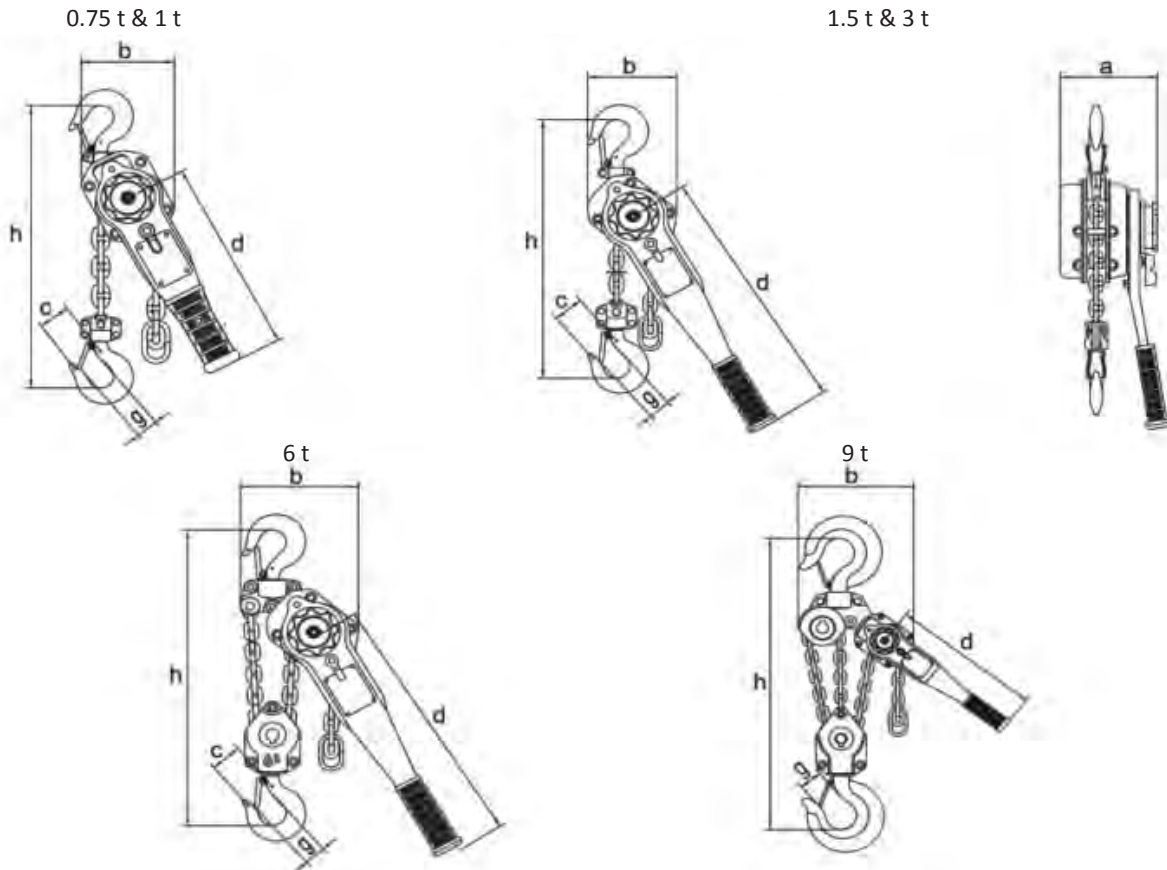


Special equipment
Large cast steel end ring

LEVER HOIST KIT-III



TECHNICAL DATA



Load capacity:	(t)	0.75	1	1.5	3	6	9
Model no.		KIT3075	KIT3100	KIT3150	KIT3300	KIT3600	KIT3900
No. of falls		1	1	1	1	2	3
Load chain	(mm)	5.6x17	5.6x17	7.1x21	9x27	9x27	9x27
Pull to rated load	(N)	237	312	258	344	355	365
Test load	(t)	1.13	1.5	2.25	4.5	9	13.5
Standard lift	(m)	1.5	1.5	1.5	1.5	1.5	1.5
Weight	(kg)	6.2	6.4	9.6	15.5	27	38.3
Extra weight	(kg)	0.7	0.7	1.1	1.74	3.48	5.22
per m							
Dimensions a	(mm)	148	148	165.5	194.5	194.5	194.5
Dimensions b	(mm)	121	121	141	178	228	310
Dimensions c	(mm)	37.5	45	47	62.5	78	-
Dimensions d	(mm)	265	265	415	415	415	415
Dimensions g	(mm)	28	33	33.5	43.5	51	64
Dimensions h	(mm)	280	290	350	420	570	680

LEVER HOISTS FOR INDUSTRIAL APPLICATIONS

- Impact and shock proof steel design
- High-strength, drop-forged and die-cut steel components ensure a lightweight design and long service life
- 360° rotatable handle with short ratchet stroke
- Rugged enamel coating
- Double pawl brake system for increased safety
- Load chain G 100
- Easy-to-replace top hook
- Lightweight, handy design for heavy loads
- Smooth operation thanks to chain guide
- Comfortable single hand operation in both vertical and horizontal position
- Hardened steel rollers for supporting the load rollers guarantee smoother operation and less wear than a roller bearing.
- Testing of all hand chain blocks in delivery condition with 150% of the rated load is documented in the respective certificate
- Cast hook safety catch

Special equipment

- Overload protection
- Cast steel end ring
- Shipyard hook 1.5 t & 3 t
- Axial ball bearing in the bottom load hook
- Caged cylinder roller bearing

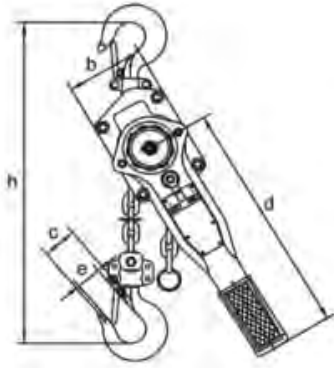


LEVER HOIST YAL

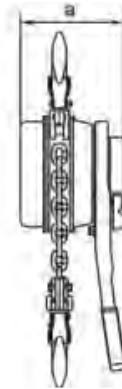
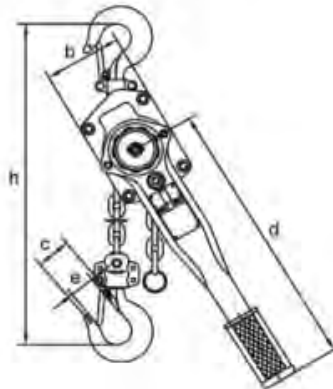


TECHNICAL DATA

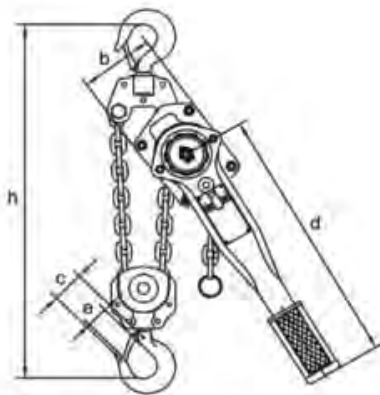
0.75 t & 1 t



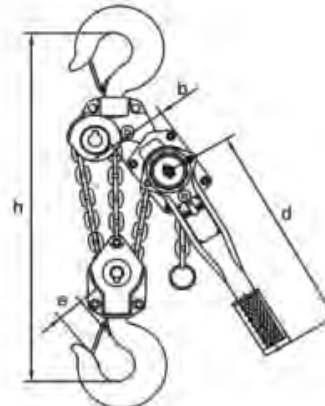
1.5 t & 3 t



6 t



9 t



Load capacity:	(t)	0.75	1	1.5	3	6	9
Model no.		YAL075	YAL100	YAL150	YAL300	YAL600	YAL900
No. of falls		1	1	1	1	2	3
Load chain	(mm)	6x18	6x18	8x24	10x30	10x30	10x30
Pull to rated load	(N)	140	180	220	320	340	350
Test load	(t)	1.13	1.5	2.25	4.5	9	13.5
Standard lift	(m)	1.5	1.5	1.5	1.5	1.5	1.5
Weight	(kg)	6.4	6.4	11.3	19.3	31.3	42
Extra weight	(kg)	0.8	0.8	1.4	2.2	4.4	6.6
per m							
Dimensions a	(mm)	148	148	172	200	200	200
Dimensions b	(mm)	90	90	98	115	115	115
Dimensions c	(mm)	37	45	47	62.5	78	-
Dimensions d	(mm)	280	280	410	410	410	410
Dimensions e	(mm)	28	33	33.5	43.5	51	64
Dimensions h	(mm)	325	325	380	480	620	690

LEVER HOIST YAL

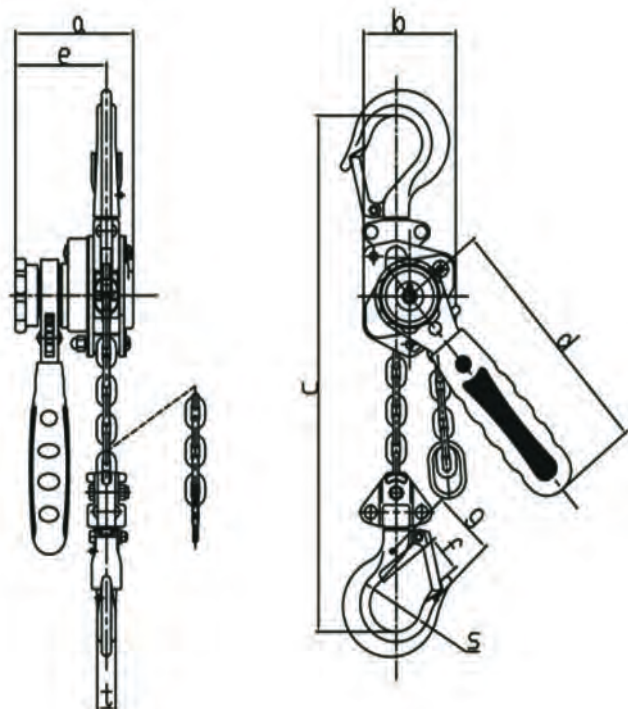


YAL: THE LIGHTWEIGHT HOIST



LEVER HOIST YAL

Load capacity:	(kg)	250	500
Model no.		YAL025	YAL050
No. of falls		1	1
Load chain	(mm)	4x12	4.3x12
Pull to rated load	(N)	270	360
Test load	(kg)	375	750
Standard lift	(m)	1.5	1.5
Net weight	(kg)	1.84	2.35
Gross weight	(kg)	2.0	2.55
Extra weight per m	(kg)	0.38	0.45
Dimensions a	(mm)	78.5	95
Dimensions b	(mm)	62	68
Dimensions c	(mm)	210	255
Dimensions d	(mm)	150	215
Dimensions e	(mm)	61	65
Dimensions f	(mm)	21	24.5
Dimensions g	(mm)	35.5	42
Dimensions s	(mm)	32	34.5
Dimensions t	(mm)	11	12



“THE SMALL HOIST FOR HEAVY LOADS”

- Lightweight aluminium alloy cover, weighs just 1.5 kg for the 250 kg lever hoist
- Up to 5:1 gear ratio
- High level of safety thanks to double pawl brake system
- Fourfold support of the load chain guarantees robust lifting action and ensures long service life of the chain
- Wear-free bushings in all moving components
- Gear wheels and friction-lock components manufactured from tempered steel
- Low wear brake discs
- Short handle
- Carrying bag
- Cast hook safety catch



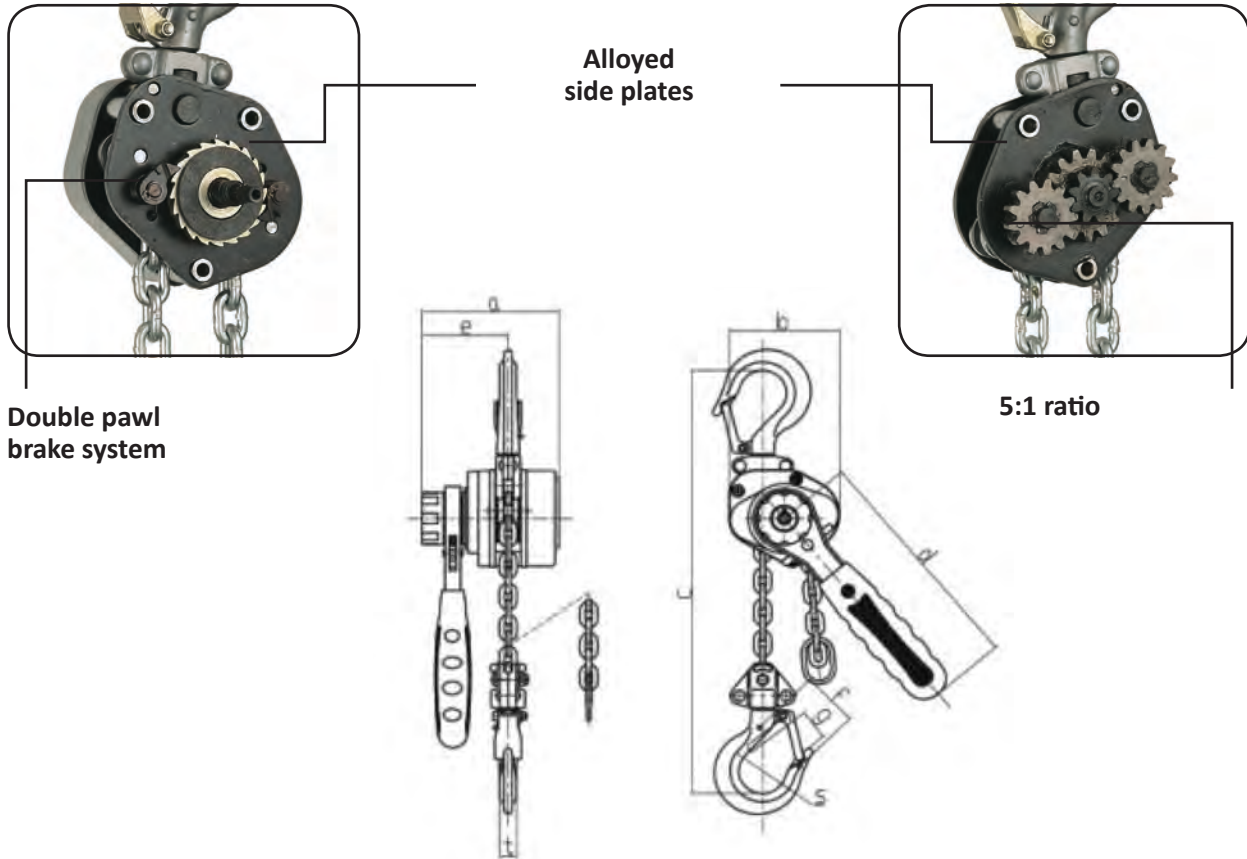
4-link chain guide



LEVER HOIST KX



SPECIFICATION



Load capacity:	(kg)	250	500	750	1500
Model no.		KX025	KX050	KX075	KX150
No. of falls		1	1	1	1
Load chain	(mm)	3.2x9	4.3x12	5x15	7.1x19.9
Pull to rated load	(N)	200	240	290	320
Test load	(kg)	375	750	1125	2250
Standard lift	(m)	1	1.5	1.5	1.5
Weight	(kg)	1.45	2.5	3.4	6.27
Extra weight per m	(kg)	0.22	0.37	0.54	1.1
Dimensions a	(mm)	87	100.5	105	122
Dimensions b	(mm)	68	81	92	109
Dimensions c	(mm)	200	250	260	330
Dimensions d	(mm)	145	160	180	220
Dimensions e	(mm)	55.5	62.5	64	68.5
Dimensions f	(mm)	35.5	42	42	52
Dimensions g	(mm)	21	24.5	28.5	35
Dimensions s	(mm)	32	34.5	35.5	42.5
Dimensions t	(mm)	11	12	14	21.5

Grade 100 VH Lastketten für Hebezwecke

Feintoleranzen für handbetätigte Kettenzüge

Nach ISO 16872

WLL=0,0400441dn² in Tonnen

FMP =0,9817477dn² in Kilonewton

FB = 1,5707963 dn² in Kilonewton

Ø dia dn (mm)	Loch-Ø pn (mm)	Länge			Traglast WLL (tonne)	Zug bei Nennlast Fmp (kN)	Bruchkraft Fa (kN)	Gewicht (=kg/m)
		Intern w1 min. (mm)	Extern w3 max. (mm)	Intern w4 min. (mm)				
3,0	9,0	3,8	10,7	3,6	0,36	8,8	14,1	0,21
4,0	12,0	5,0	14,3	4,8	0,63	15,7	25,1	0,35
5,0	15,0	6,3	17,9	6,0	1,00	24,5	39,3	0,54
6,0	18,0	7,5	22,5	7,2	1,44	35,3	56,6	0,78
6,3	18,9	7,9	22,6	7,6	1,60	39,0	62,3	0,86
7,1	21,3	8,9	25,4	8,5	2,00	49,5	79,2	1,10
8,0	24,0	10,0	28,6	9,6	2,50	62,8	101,0	1,39
9,0	27,0	11,3	32,2	10,8	3,15	79,5	127,0	1,76
10,0	30,0	12,5	35,8	12,0	4,00	98,2	157,0	2,17

Bruchdehnung min.

17%

Minimale Bruchkraft FB 1000N/mm²

$$\frac{2(F_b)}{\pi d n^2}$$

Grade 80 VH Lastketten für Hebezwecke

Feintoleranzen für handbetätigte Kettenzüge

Nach ISO 16872

WLL=0,0400441dn² in Tonnen

FMP =0,9817477dn² in Kilonewton

FB = 1,5707963 dn² in Kilonewton

Ø dia dn (mm)	Loch-Ø pn (mm)	Länge			Traglast WLL (tonne)	Zug bei Nennlast Fmp (kN)	Bruchkraft Fa (kN)	Gewicht (=kg/m)
		Intern w1 min. (mm)	Extern w3 max. (mm)	Intern w4 min. (mm)				
3,0	9,0	3,8	10,7	3,6	0,28	7,1	11,3	0,21
4,0	12,0	5,0	14,3	4,8	0,50	12,6	20,1	0,35
5,0	15,0	6,3	17,9	6,0	0,80	19,6	31,4	0,54
6,0	18,0	7,5	22,5	7,2	1,15	28,3	45,2	0,78
6,3	18,9	7,9	22,6	7,6	1,25	31,2	49,9	0,86
7,1	21,3	8,9	25,4	8,5	1,60	39,6	63,3	1,10
8,0	24,0	10,0	28,6	9,6	2,00	50,3	80,4	1,39
9,0	27,0	11,3	32,2	10,8	2,50	63,6	102,0	1,76
10,0	30,0	12,5	35,8	12,0	3,15	78,5	128,0	2,17
11,2	33,6	14,0	40,1	13,4	4,00	98,5	158,0	2,71

Bruchdehnung min.

15%

Minimale Bruchkraft FB 800N/mm²

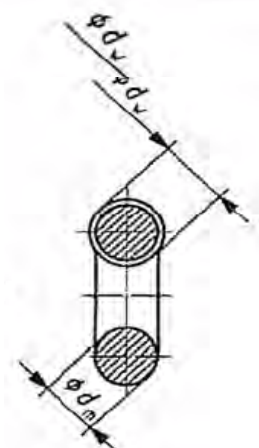
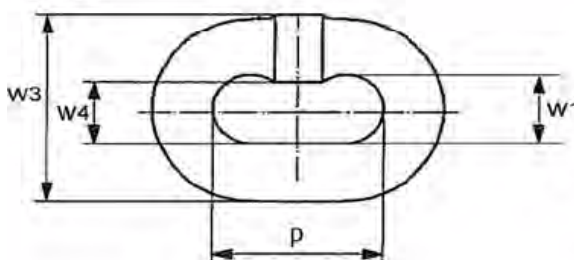
$$\frac{2(F_b)}{\pi d n^2}$$

Lochkreisdurchmesser auf basis von 3dn . Maximal: 3,3 dn

Minimale Innenbreite w4 = 1,2dn am Schweißpunkt

Minimale Innenbreite w1 = 1,2dn am Lochkreis

Maximale Aussenbreite w3 = 3,75 dn über dem schweißpunkt

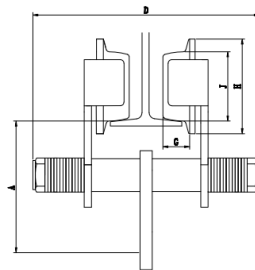
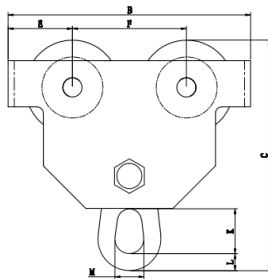


PLAIN TROLLEY KW-II



PLAIN TROLLEY TYPE KW-II

- Low headroom
- Quick and easy installation
- Robust steel design with bumper guards
- Hardened wheels
- Sealed ball bearings on both sides



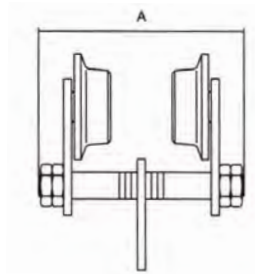
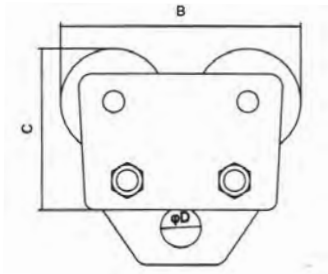
SPECIFICATION

Other I-beam sizes available on request

Code	Load capacity	Recommended I-beam width mm	A mm	B mm	C mm	D mm	E mm	F mm	G mm	H mm	J mm	K mm	L mm	m mm	Weight kg
KW2005	0.5	64-140	108	200	190	290	53	94	18.5	78	57	37	14	24	5
KW2010	1	64-140	115	238	211	310	59	120	24	90	66	40	16	28	8.7
KW2020	2	76-165	130	274	236	360	69	136	26	105	75	44	17	34	10.4
KW2030	3	76-203	164	314	295	320	82	150	33	130	96	60	17	34	24
KW2050	5	88-203	177	364	334	320	97	169	38	150	112	65	22	40	36
KW2100	10	125-203	237	460	460	370	130	198	55	189	150	90	27	57	83
KW2200	20	122-203	240	565	495	392	148	268	55	225	175	110	56	80	176
KW2300	30	122-300	258	625	564	512	164	296	60	255	196	125	76	90	236
KW2500	50	122-300	258	1255	564	512	164	296	60	255	196	125	76	90	540

PLAIN TROLLEY TYPE KWD-II

- Low headroom
- Simple application
- Sealed ball bearings on both sides



SPECIFICATION

Other I-beam sizes available on request

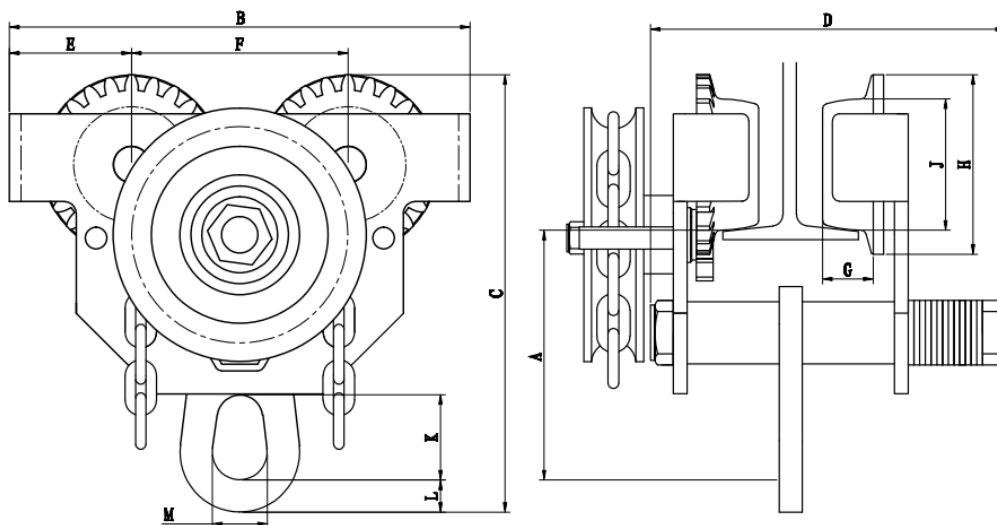
Code	Load capacity	Recommended I-beam width mm	A mm	B mm	C mm	D mm	Weight kg
KW2005	0.5	64-110	195	179	120.5	30	5.5
KW2010	1	64-152	207	206	145	36	9.0
KW2020	2	76-165	240	233	176	42	13
KW2030	3	76-203	252	276	207	58	24
KW2050	5	88-203	294	304	237	64	36
KW2100	10	122-203	375	389	306.5	80	83

PLAIN TROLLEY KW-III



GEARED TROLLEY TYPE KW-III

- Low headroom
- Simple application
- Robust steel design with buffer stops
- Hardened wheels
- Sealed ball bearings on both sides
- Standard 3m chain drops



TECHNICAL DATA

Other I-beam sizes available on request

Code	Load capacity	Recommended I-beam width mm	A mm	B mm	C mm	D mm	E mm	F mm	G mm	H mm	J mm	K mm	L mm	M mm	Weight kg
KW3005	0.5	64-140	108	200	190	230	53	94	18.5	78	57	37	14	24	10
KW3010	1	64-140	115	238	211	260	59	120	24	90	66	40	16	28	14
KW3020	2	76-165	130	274	236	300	69	136	26	105	75	44	17	34	16
KW3030	3	76-203	164	314	295	320	82	150	33	130	96	60	17	34	24
KW3050	5	88-203	177	364	334	320	97	169	38	150	112	65	22	40	36
KW3100	10	125-203	237	460	460	370	130	198	55	189	150	90	27	57	90
KW3200	20	122-203	240	565	495	392	148	268	55	225	175	110	56	80	215
KW3300	30	122-300	258	625	564	512	164	296	60	255	196	125	76	90	230
KW3500	50	122-300	258	1255	564	512	164	296	60	255	196	125	76	90	610

BEAM CLAMP TYPE YC

- Quick and easy assembly without tools
- Enables the quick application of lifting devices, pulley blocks and much more
- Wide adjustment range guarantees flexible application
- Self-securing spindle



TECHNICAL DATA

Model no.	Load capacity (t)	Jaw opening (mm)	Weight (kg)
YC010	1.0	75-220	3.8
YC020	2.0	75-220	4.6
YC030	3.0	80-320	9
YC050	5.0	80-320	11
YC100	10.0	90-320	16

BEAM CLAMP TYPE YS

- Quick and easy assembly without tools
- Enables the quick application of lifting devices, pulley blocks and much more
- Wide adjustment range guarantees flexible application
- Self-securing spindle
- Supplied with a shackle

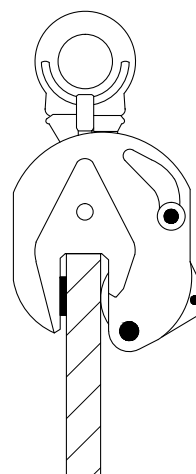
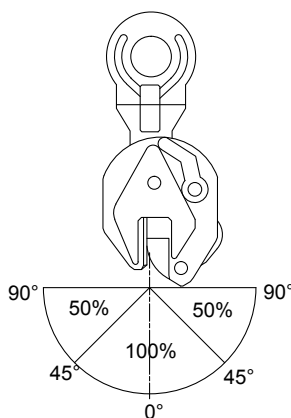
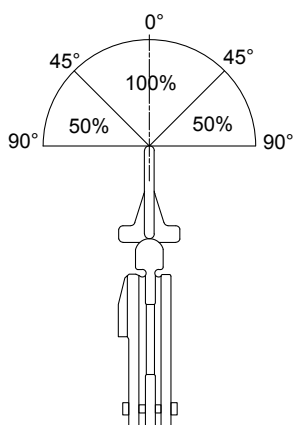


TECHNICAL DATA

Model no.	Load capacity (t)	Jaw opening (mm)	Weight (kg)
YS010	1.0	75-230	3.8
YS020	2.0	75-230	4.8
YS030	3.0	80-320	9.2
YS050	5.0	90-310	11
YS100	10.0	90-320	15.5

PLATE CLAMP TYPE CU

- Clamp suitable for lifting plates in vertical, horizontal and side position
- Articulated lifting shackle
- Increased safety due to additional lock. Clamp remains closed even in the event of accidental release and the load remains secure.
- Non-slip clamp
- Clamp locked in closed and opened position
- Manufactured from high quality steel



TECHNICAL DATA

Model no.	Load capacity (t)	Jaw opening (mm)	Weight (kg)
CU008	0.8	0-15	2
CU010	1.0	0-15	4
CU016	1.6	0-20	7
CU020	2.0	0-25	8
CU032	3.2	0-25	15
CU050	5.0	0-30	21
CU080	8.0	0-45	37
CU120	12.0	50-90	50
CU160	16.0	60-100	65



VERTICAL PLATE CLAMP TYPE CV

- Standard clamp for vertically lifting steel plates and steel structures
- Non-slip clamp
- Clamp locked in closed and opened position
- Manufactured from high quality steel



TECHNICAL DATA

Model no.	Load capacity (t)	Jaw opening (mm)	Weight (kg)
CV008	0.8	0-16	2.8
CV010	1.0	0-22	3.6
CV020	2.0	0-30	5.5
CV032	3.2	0-40	10
CV050	5.0	0-50	17
CV080	8.0	0-60	26
CV100	10.0	0-80	32
CV120	12.0	25-90	48
CV160	16.0	60-125	80

HORIZONTAL PLATE CLAMP TYPE CH

- Clamp for horizontally lifting steel plates and steel structures
- Manufactured from high quality steel



TECHNICAL DATA

Model no.	Load capacity (t)	Jaw opening (mm)	Weight (kg)
CH008	0.8	0-25	2.5
CH010	1.0	0-30	3.5
CH016	1.6	0-30	4
CH020	2.0	0-40	5
CH032	3.2	0-45	6
CH040	4.0	0-50	6.5
CH050	5.0	0-55	7.5
CH060	6.0	0-65	10.5
CH080	8.0	0-100	22
CH100	10.0	0-125	33

TYPE HAL (ALUMINIUM BODY)



Special equipment
Optional hook

High-strength aluminium body
Lightweight

Overload protection
Thanks to built-in shearing pin



Large, flat bottom surface
for maximum stability



TECHNICAL DATA

Model no.	Load capacity (t)	Leverage force (N)	Rated forward travel (mm)	Tube length (mm)	Rope diameter (mm)	Weight (kg)
YAL008	0.8	341	≥52	800	8.3	6.2
YAL016	1.6	438	≥55	1200	11	11.8
YAL032	3.2	438	≥28	1200	16	22.6
YAL054	5.4	745	≥30	1200	20	58



Galvanised steel wire rope

TYPE HAL-II (STEEL BODY)



Special equipment
Optional hook

Steel body
Chrome plated or power coated

Overload protection
Thanks to built-in shearing pin



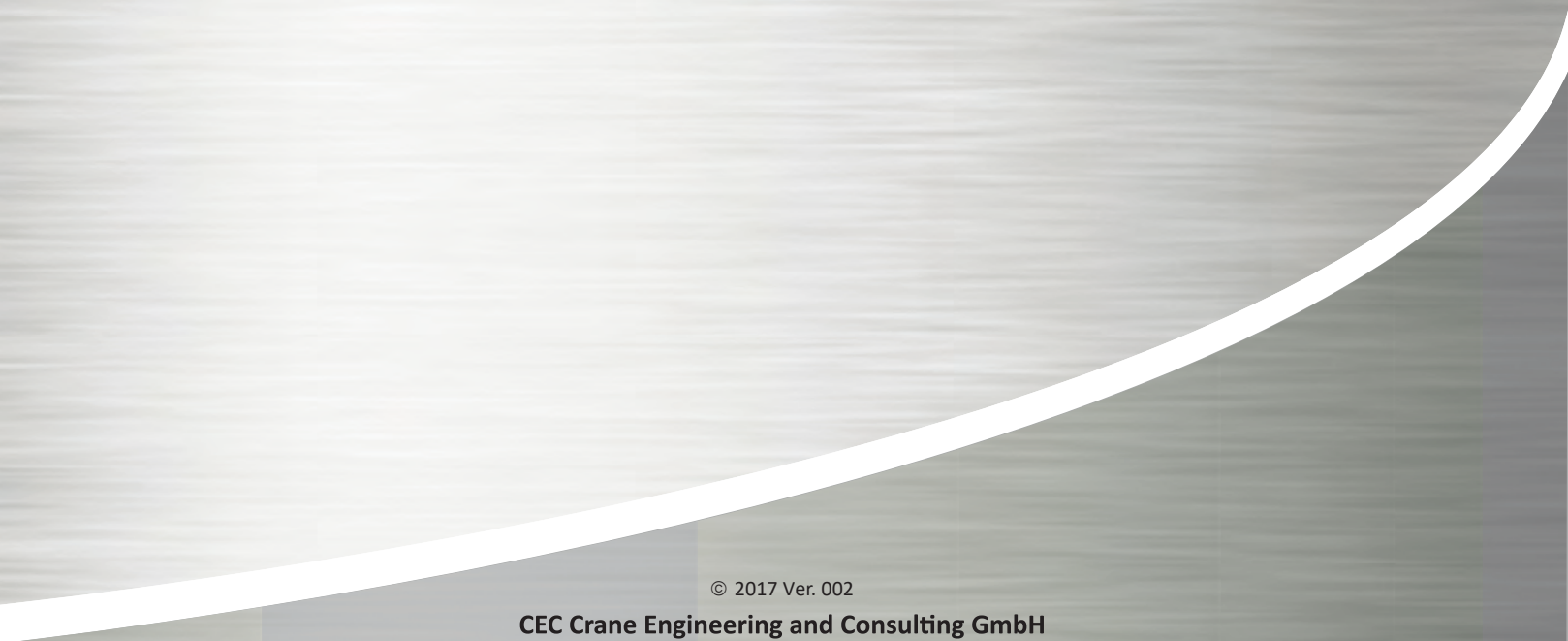
TECHNICAL DATA

Model no.	Load capacity (t)	Leverage force (N)	Rated forward travel (mm)	Tube length (mm)	Rope diameter (mm)	Weight (kg)
YAL2008	0.8	284	≥52	800	8.3	7
YAL2016	1.6	412	≥51	1200	11	12
YAL2032	3.2	438	≥28	1200	16	23



Galvanised steel wire rope





© 2017 Ver. 002

CEC Crane Engineering and Consulting GmbH
Thundorfer Strasse 17 · D-92342 Freystadt · www.cec-cranes.de

All rights reserved. All texts, images and diagrams used in this catalogue as well as the layout and composition are subject to copyright.
No part of this catalogue may be reproduced, transmitted, altered or made available to third parties
without the express prior written permission of the copyright holder.
Errors and omissions excepted. Technical details subject to change.
All our offers and agreements are subject to our general terms and conditions.